



## BR5G-3 SERIE

**Switching power supply**  
**Mono 230 or 400VAC**  
**Power : 720W**  
**Efficiency > 83%**  
**High reliability**  
**Fixing squares supplied**  
**Garanty : 2 years**

### TECHNICAL SPECIFICATION

Frequency: 47 to 63 Hz

Current input : <7.5Aeff. for 230Veff or <4.5Aeff. for 400Veff.

Calling current: <180A under Vin max. & <170A under Vin nom. during 3ms (following EN61204)

Current output (Iout): 30A or 15A (see standard models)

Rate of regulation: <1% of Vout with Vin varying in specified limits  
 Iout from 0 to 100% of Iout nominal temperature from 0° to +50 °C

Residual ondulation: 1% of Vout nominal c. to c (band-width 20MHz)

Transient response: exceed at 3% of Iout nominal & return  $\pm 0.5\%$  of Vout nominal in 4ms  
 for a variation load of 50% in range of 10% to 90% from Iout nominal.

Overload and short-cut: protection by limitation of current Iout type "constant current"  
 following EN61204 (step at 105% of Iout nominal) ,Short-cut holded for an unlimited period.

Output overvoltage (in option): protection in case of accidental overvoltage generated by the power supply, by a short-cut limiting Vout between 105 and 120 % of Vout nominal and it cause a disjunction of the power supply after 100ms, a cut-off of the Input voltage for a minimal length of time of 2 minutes is necessary to start the power supply again.

Dielectric strength: 3000Veff between input (2 wires) and output (2 wires)  
 3000Veff between input (2 wires) and ground  
 500Veff between output (2 wires) and ground

Isolation:  $\geq 100M\Omega$  under 500VDC between input (2 wires) & output (2 wires)

Switching frequency: fixed 70KHz a fortiori

Efficiency : 83% for Vin=400Veff & current output Iout nominal

Operating temperature : 0° to +50°C

Storage temperature: -25°C to 85°C

Cooling : forced convection – Incorporated fan

Dimensions Lx W x H: 147 x 142 x 160

Weight : 1.9 KG

Output voltage presence: Green LED

Conformity: EN 60950-A4 , EN55011A ,EN61000-4-3 , EN 61000-4-4 , EN61000-4-5

Protection against overvoltage (code +P)  
 Fixing on symmetric DIN Rail by a pair of clips (code AGRAF DIN)  
 Fixing on DIN Rail by sheet with 2 multiprofiles fixing (code KIT DIN-2)

Fixing on equipment box background by sheet with 4 Buttonhole (code PL BR5-2 )

### STANDARD MODEL

	Input range	Output range	Current output	Reference
mono	198Veff $\leq$ Vin $\leq$ 253Veff	24V	30A	BR5G 2430-230
mono	198Veff $\leq$ Vin $\leq$ 253Veff	48V	15A	BR5G 4815-230
mono	345Veff $\leq$ Vin $\leq$ 440Veff	24V	30A	BR5G 2430-400
mono	345Veff $\leq$ Vin $\leq$ 440Veff	48V	15A	BR5G 4815-400

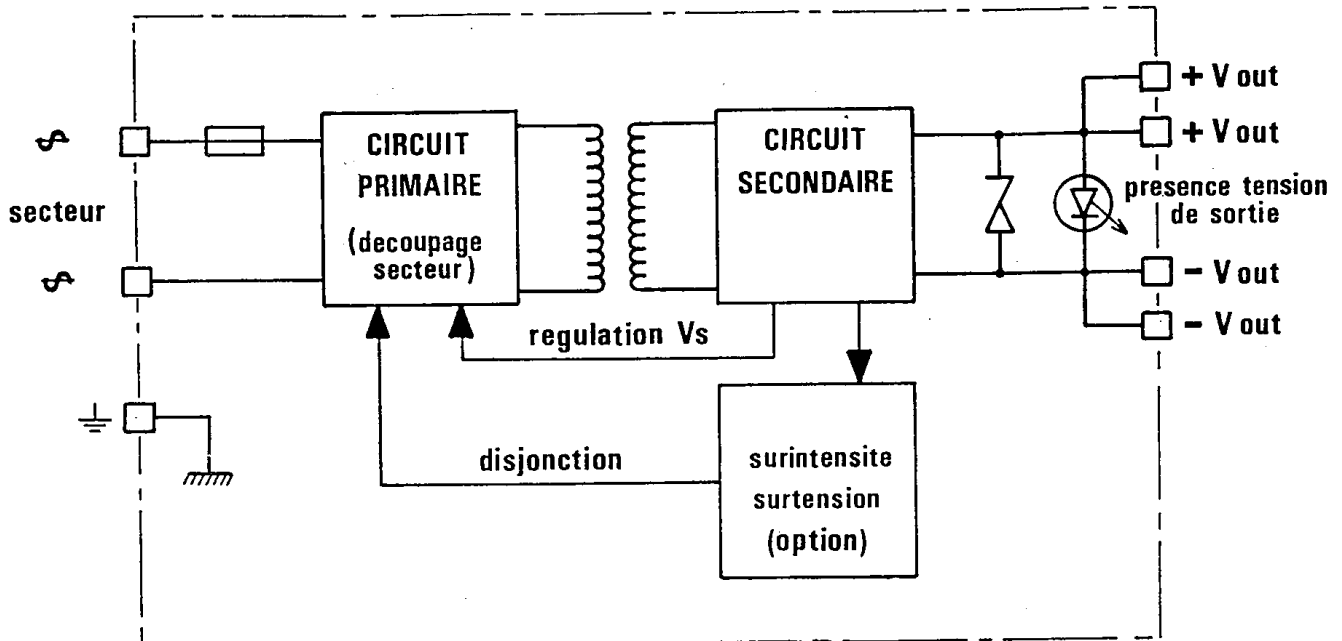
Dans un souci constant d'amélioration de ses produits, PRONERGY se réserve le droit de modifier sans préavis toute caractéristique citée dans le présent document.

P R O N E R G Y

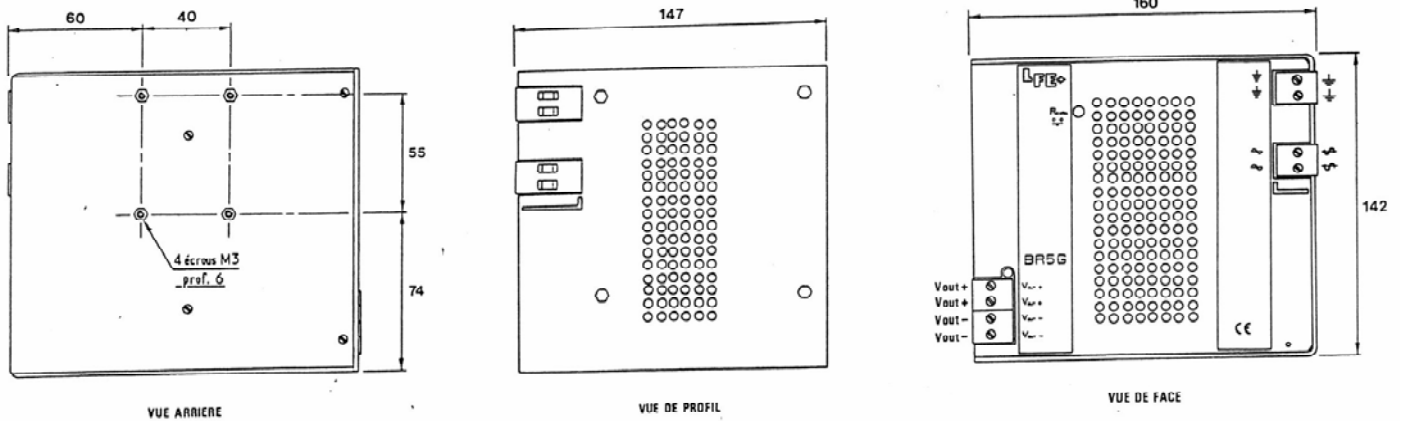
*L'énergie à votre mesure*

Tél. (+33) 1.69.19.43.00 – Fax. (+33) 1.69.19.43.01  
 5, rue Ampère 91380 CHILLY MAZARIN France  
[www.pronergy.com](http://www.pronergy.com) – [contact@pronergy.com](mailto:contact@pronergy.com)

## SYNOPTIC



## OUTLINE DIMENSIONS



Dans un souci constant d'amélioration de ses produits, PRONERGY se réserve le droit de modifier sans préavis toute caractéristique citée dans le présent document.

PRONERGY

*L'énergie à votre mesure*

Tél. (+33) 1.69.19.43.00 – Fax. (+33) 1.69.19.43.01  
 5, rue Ampère 91380 CHILLY MAZARIN France  
[www.pronergy.com](http://www.pronergy.com) – [contact@pronergy.com](mailto:contact@pronergy.com)