



BR5G2-CN SERIE

AC/DC Power supply for programmable automaton and their input-output interface
Following CNOMO Norm
Mono 230 or 400VAC
Power : 520W
Efficiency > 88%
Fixing square supplied
Garanty : 2 years

TECHNICAL SPECIFICATIONS

Frequency : 49 to 51 Hz

Current input: <math> < 5.7 A_{eff}</math> for 230Veff or <math> < 3.5 A_{eff}</math> for 400Veff.

Calling current : <math> < 180 A</math> under $V_{in max.}$ & <math> < 170 A</math> under $V_{in nom.}$ during 3ms(following EN61204)

Current output (Iout): 20A

Rate of regulation: <math> < 2\%</math> of V_{out} with V_e varying in specified limits
 Iout of 0 to 100% of Iout nominal.

Residual ondulation: 1% of $V_{out nom c. to c}$ (band-width 20MHz)

Transient response: exceed at 3% of Iout nominal & return $\pm 0.5\%$ of $V_{out nominal}$ in 4ms
 for a variation load of 50% in range of 10% to 100% from Iout nominal.

Overload and short-cut: protection by limitation of current Iout type "constant current"
 following EN61204 (step at 105% of Iout nominal) ,Short-cut holded for an unlimited period.

Output overvoltage: protection by V_{out} limit between 105 and 120% from $V_{out nominale}$.

Dielectric strength: 3000Veff between input (2 wires) and output (2 wires)
 3000Veff between input (2 wires) and ground
 500Veff between output (2 wires) and ground

Isolation: $\geq 100 M\Omega$ under 500VDC between input (2 wires) & output(2 wires)

Switching frequency : fixed 70KHz a fortiori

Efficiency: 88% for $V_{in}=230V_{eff}$ & current output Iout= 20A

Operating temperature : +5°C to +50°C

Storage temperature: -25°C to 85°C

Dimensions L x W x H: 147 x 142 x 160

Weight: 1.8Kg

Output voltage presence : Green LED

Conformity: EN55011A , EN61000-4-3 , EN 61000-4-4 , EN61000-4-5

Fixing on symetric DIN Rail by a pair of clips (code AGRAF DIN)

Fixing on DIN Rail by sheet with 2 multiprofiles fixing (code KIT DIN-2)

Fixing on equipment box background by sheet with 4 Buttonhole (code PL BR5-2)

An overload, a short-cut or an overvoltage who involves the activation of the circuit of disjunction for one length of time higher than 5 seconds causes the disjunction of the power supply. The cause of this disjunction having disappeared on the line from use and under a deadline of 8 second minimum after disjunction, manual rearmament is carried out then by action on the pushbutton in front face.

STANDARD MODELS

	Input range	Output range	Current output	Reference
mono	$207V_{eff} \leq V_{in} \leq 253V_{eff}$	26V	20A	BR5G 2620-230 CN
mono	$358V_{eff} \leq V_{in} \leq 423V_{eff}$	26V	20A	BR5G 2620-400 CN

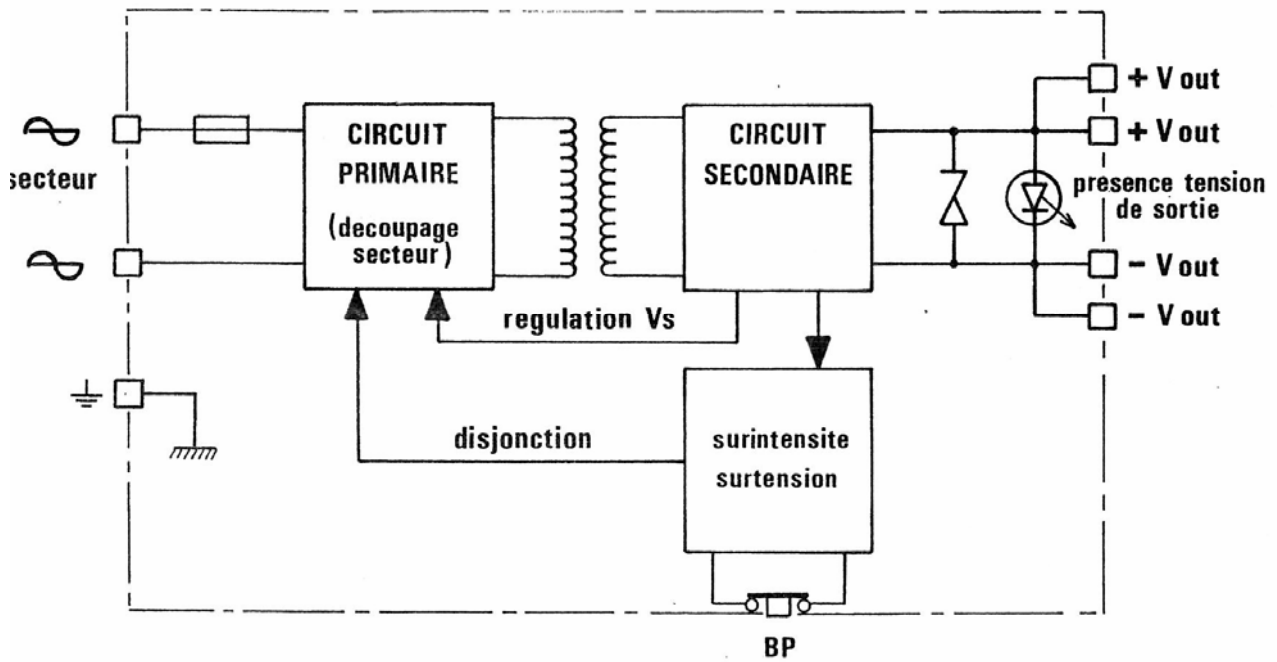
Dans un souci constant d'amélioration de ses produits, PRONERGY se réserve le droit de modifier sans préavis toute caractéristique citée dans le présent document.

P R O N E R G Y

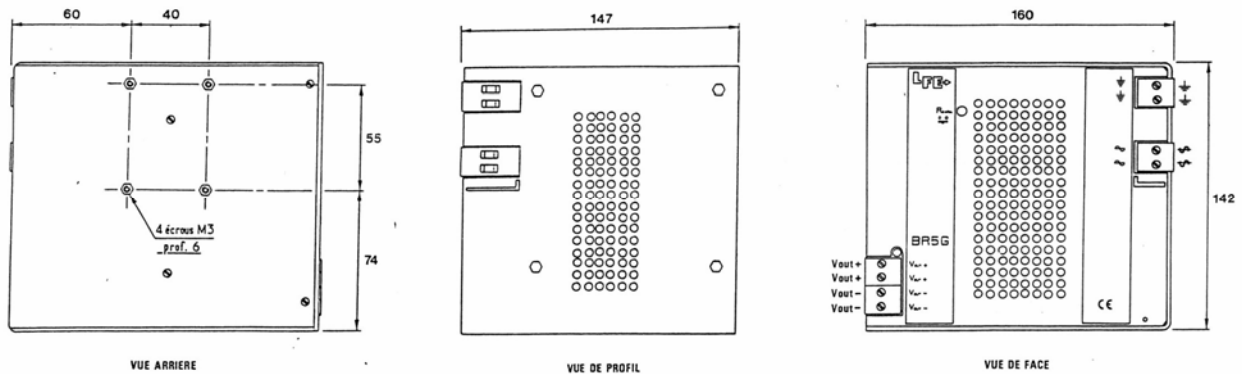
L'énergie à votre mesure

Tél. (+33) 1.69.19.43.00 – Fax. (+33) 1.69.19.43.01
 5, rue Ampère 91380 CHILLY MAZARIN France
www.pronergy.com – contact@pronergy.com

SYNOPTIC



OUTLINE DIMENSIONS



Dans un souci constant d'amélioration de ses produits, PRONERGY se réserve le droit de modifier sans préavis toute caractéristique citée dans le présent document.

PRONERGY

L'énergie à votre mesure

Tél. (+33) 1.69.19.43.00 – Fax. (+33) 1.69.19.43.01
 5, rue Ampère 91380 CHILLY MAZARIN France
www.pronergy.com – contact@pronergy.com