



BR5G1-CN SERIE

AC/DC power supply for programmable automaton and their input-output interfaces
Following CNOMO Norm
Mono 230 ou 400VAC
Power : 240W to 260W
Efficiency > 88%
Fixing squares supplied
Garanty : 2 years

TECHNICAL SPECIFICATION

Frequency: 49 to 51 Hz

Current input: <2.82 Aeff. for 230Veff or <1.7 Aeff. for 400Veff.

Calling current: <80A under Vin max. & <75A under Vin nominal during 3ms(following EN61204)

Current output (Iout): 10A or 5A according to model

Rate of regulation: <2% of Vout with Vin varying in specified limits
 Iout from 0 to 100% of Iout nominal.

Residual ondulation: 1% of Vout nominal c. to c (band-width 20MHz)

Transient response: exceed at 3% of Iout nominal & return $\pm 0.5\%$ of Vout nominal in 4ms
 for a variation load of 50% in range of 10% to 100% from Iout nominal.

Overload and short-cut: protection by limitation of current Iout type "constant current"
 following EN61204 (step at 105% of Iout nominal) ,Short-cut holded for an unlimited period.

Output overvoltage: protection by Vout limit between 105 and 120% from Vout nominale.

Dielectric strength: 3000Veff between input (2 wires) and output (2 wires)
 3000Veff between input (2 wires) and ground
 500Veff between output (2 wires) and ground

Isolation: $\geq 100M\Omega$ under 500VDC between input (2 wires) & output(2 wires)

Switching frequency : fixed 70KHz a fortiori

Efficiency: 88% for Vin=230Veff & current output Iout= 10A

Operating temperature : 0°C to +50°C

Storage temperature: -25°C to 85°C

Dimensions Lx W x H: 147 x 142 x 80

Weight: 1Kg

Output voltage presence: Green LED

Conformity: EN55011A ,EN61000-4-3 , EN61000-4-4 , EN61000-4-5

Fixing on symetric DIN Rail by a pair of clips (code AGRAF DIN)

Fixing on DIN Rail by sheet with 2 multiprofiles fixing (code KIT DIN-2)

Fixing on equipment box background by sheet with 4 Buttonhole (code PL BR5-2)

An overload, a short-cut or an overvoltage who involves the activation of the circuit of disjunction for one length of time higher than 5 seconds causes the disjunction of the power supply. The cause of this disjunction having disappeared on the line from use and under a deadline of 8 second minimum after disjunction, manual rearmament is carried out then by action on the pushbutton in front face.

STANDARD MODELS

	Input range	Output range	Current output	Reference
mono	207Veff \leq Vin \leq 253Veff	26V	10A	BR5G 2610-230 CN
mono	207Veff \leq Vin \leq 253Veff	48V	5A	BR5G 485-230 CN
mono	358Veff \leq Vin \leq 423Veff	26V	10A	BR5G 2610-400 CN
mono	358Veff \leq Vin \leq 423Veff	48V	5A	BR5G 485-400 CN

Dans un souci constant d'amélioration de ses produits, PRONERGY se réserve le droit de modifier sans préavis toute caractéristique citée dans le présent document.

P R O N E R G Y

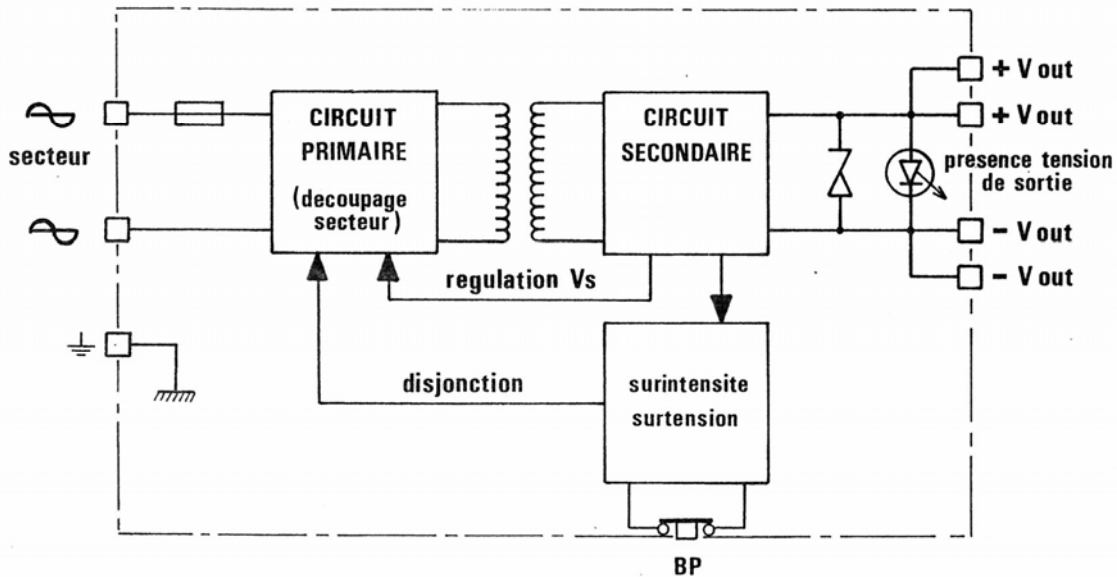
L'énergie à votre mesure

Tél. (+33) 1.69.19.43.00 – Fax. (+33) 1.69.19.43.01

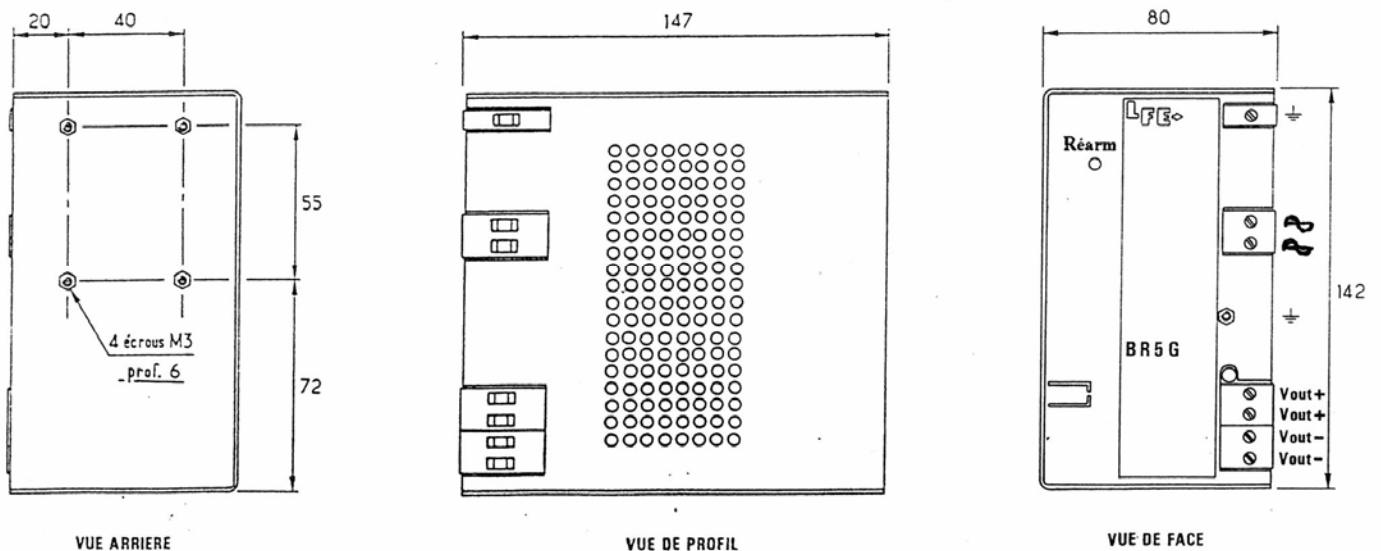
5, rue Ampère 91380 CHILLY MAZARIN France

www.pronergy.com – contact@pronergy.com

SYNOPTIC



OUTLINE DIMENSION



Dans un souci constant d'amélioration de ses produits, PRONERGY se réserve le droit de modifier sans préavis toute caractéristique citée dans le présent document.

PRONERGY

L'énergie à votre mesure

Tél. (+33) 1.69.19.43.00 – Fax. (+33) 1.69.19.43.01

5, rue Ampère 91380 CHILLY MAZARIN France

www.pronergy.com – contact@pronergy.com

Dans un souci constant d'amélioration de ses produits, PRONERGY se réserve le droit de modifier sans préavis toute caractéristique citée dans le présent document.

P R O N E R G Y

L'énergie à votre mesure

Tél. (+33) 1.69.19.43.00 – Fax. (+33) 1.69.19.43.01
5, rue Ampère 91380 CHILLY MAZARIN France
www.pronergy.com – contact@pronergy.com