



BR5G-1 SERIE

Switching power supply
Mono 115, 230 or 400VAC
Power : 240W
Efficiency > 88%
High reliability
Fixing squares supplied
Garanty : 2 years

TECHNICAL SPECIFICATION

Frequency: 47 to 63 Hz

Current input: <2.75Aeff. for 230Veff or <5.50Aeff. for 115Veff, <1.7Aeff. for 400Veff.

Calling current: <80A under Vin max. & <75A under Vin nom. during 3ms(following EN61204)

Current output (Iout): 10A or 5A (see standard range)

Rate of regulation: <1% of Vout with Vin varying in specified limits
 Iout from 0 to 100% of Iout nominal temperature from 0° to +50 °C

Residual ondulation: 1% of Vout nom c. to c (band-width 20MHz)

Transient response: exceed at 3% of Iout nominal & return $\pm 0.5\%$ of Vout nominal in 4ms
 for a variation load of 50% in range of 10% to 100% from Iout nominal.

Overload and short-cut: protection by limitation of current Iout type "constant current"
 following EN61204 (step at 105% of Iout nominal) ,Short-cut holded for an unlimited period.

Output overvoltage (in option): protection in case of accidental overvoltage generated by the power supply, by a short-cut limiting Vout between 105 and 120 % of Vout nominal and it cause a disjunction of the power supply after 100ms, a cut-off of the Input voltage for a minimal length of time of 2 minutes is necessary to start the power supply again.

Dielectric strength: 3000Veff between input (2 wires) and output (2 wires)
 3000Veff between input (2 wires) and ground
 500Veff between output (2 wires) and ground

Isolation: $\geq 100M\Omega$ under 500VDC between input (2 wires) & output(2 wires)

Switching frequency : fixed 70KHz a fortiori

Efficiency: 88% for Vin=230Veff & current output Iout nominal

Operating temperature : 0 to +50°C

Storage temperature: -25°C to 85°C

Dimensions L x W x H: 147x 142 x 80

Weight: 1Kg

Output voltage presence: Green LED

Conformity:EN 60950-A , EN55011A ,EN61000-4-3 , EN 61000-4-4 , EN61000-4-5

Protection against overvoltage (code +P)
 Fixing on symetric DIN Rail by a pair of clips (code AGRAP DIN)
 Fixing on DIN Rail by sheet with 2 multiprofiles fixing (code KIT DIN-2)

Fixing on equipment box background by sheet with 4 Buttonhole (code PL BR5-2)

STANDARD MODELS

	Input range	Output range	Current output	Reference
mono	99Veff \leq Vin \leq 127Veff	24V	10A	BR5G 2410-115
mono	99Veff \leq Vin \leq 127Veff	48V	5A	BR5G 485-115
mono	198Veff \leq Vin \leq 253Veff	24V	10A	BR5G 2410-230
mono	198Veff \leq Vin \leq 253Veff	48V	5A	BR5G 485-230
mono	345Veff \leq Vin \leq 440Veff	24V	10A	BR5G 2410-400
mono	345Veff \leq Vin \leq 440Veff	48V	5A	BR5G 485-400

Dans un souci constant d'amélioration de ses produits, PRONERGY se réserve le droit de modifier sans préavis toute caractéristique citée dans le présent document.

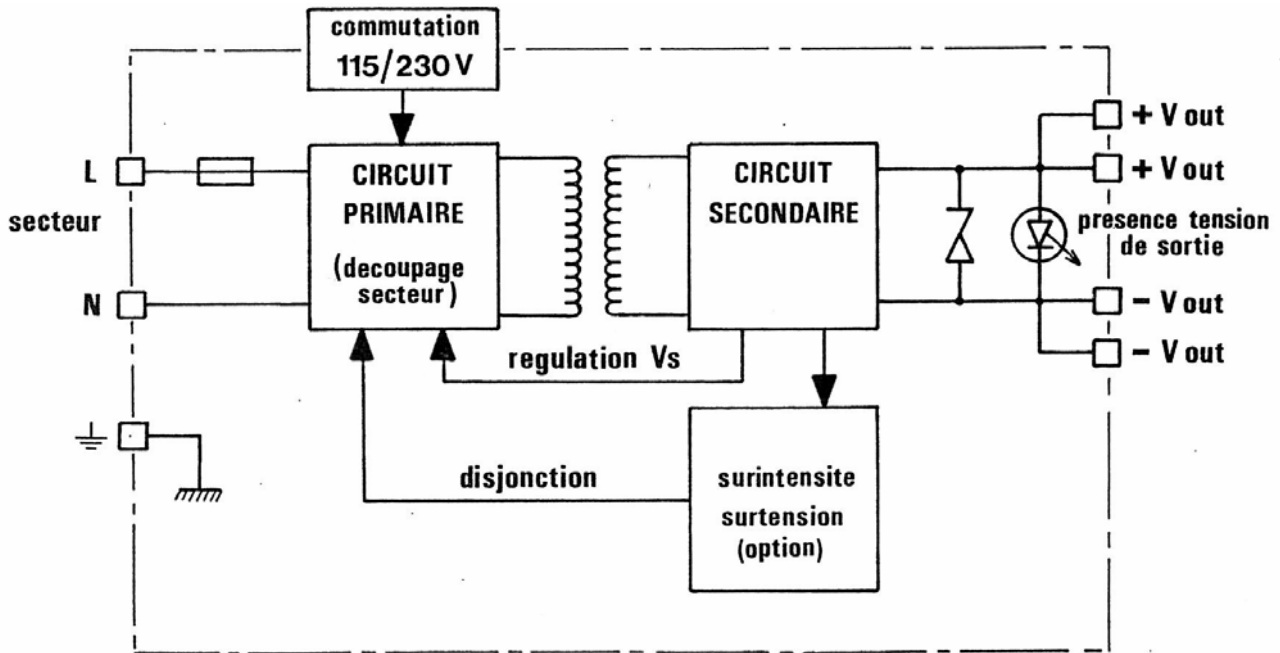
P R O N E R G Y

L'énergie à votre mesure

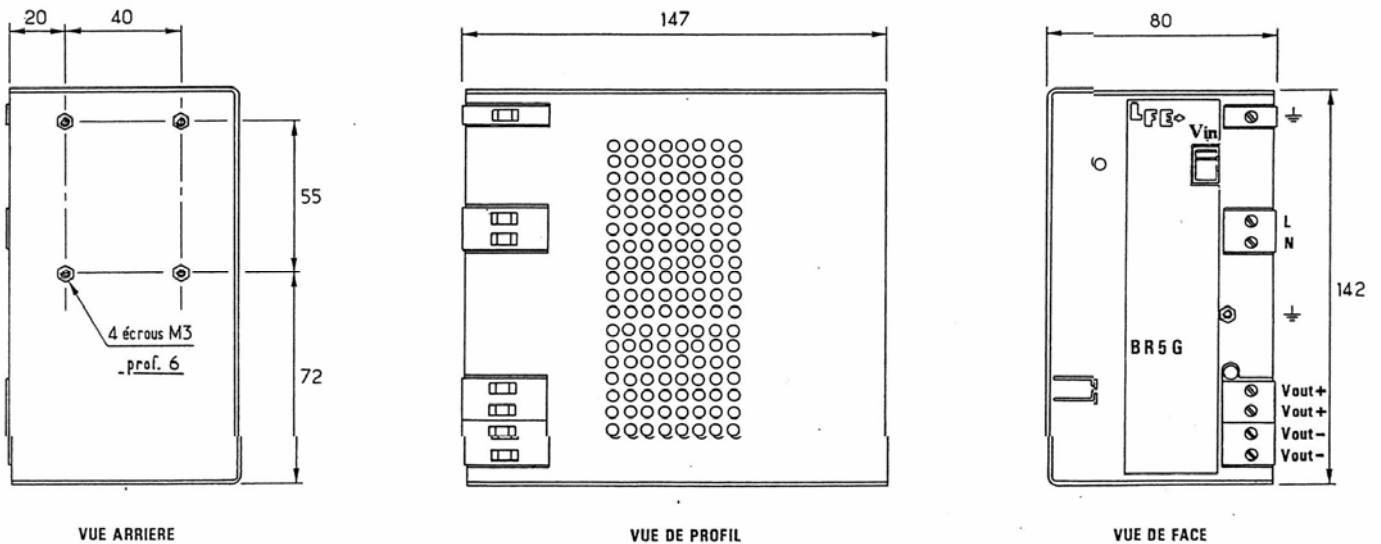
Tél. (+33) 1.69.19.43.00 – Fax. (+33) 1.69.19.43.01
 5, rue Ampère 91380 CHILLY MAZARIN France

www.pronergy.com – contact@pronergy.com

SYNOPTIC



OUTLINE DIMENSIONS



Dans un souci constant d'amélioration de ses produits, PRONERGY se réserve le droit de modifier sans préavis toute caractéristique citée dans le présent document.

PRONERGY

L'énergie à votre mesure

Tél. (+33) 1.69.19.43.00 – Fax. (+33) 1.69.19.43.01
5, rue Ampère 91380 CHILLY MAZARIN France
www.pronergy.com – contact@pronergy.com