

## BE3 Series

**Linear Regulation Power Supply**  
**Single 115, 230 ou 400VAC**  
**Power : from 60 to 62.4W**  
**Efficiency > 80%**  
**High Reliability**  
**Fixing with screw**  
**5 years Warranty**

## Technical Characteristics

Input voltage  $V_{in}$  : models BE...-230: 103 to 126 Vrms and 207 to 253 Vrms  
 models BE...-400: 358 to 438 Vrms and 360 to 440Vrms  
 Output voltage  $V_{out}$  : adjustable at +/-5% with internal potentiometer, Green Led display  
 Output Regulation : line + load  $\leq 0.2\%$ , for  $\Delta V_{in}$  from  $V_{in\ min}$  to  $V_{in\ max}$   
 for  $\Delta I_{out}$  from 0 to 100%.  
 Ripples :  $\leq 0.2\%$  pk to pk  
 Response Time : for  $\Delta I_{out}$  variation of 50% in the range from 10 to 90% of  
 $I_{out\ nominal}$ , overshoot  $\leq 1\%$  of  $V_{out\ nominal}$  and  $< 0.2\%$  de  
 $V_{out\ nominal}$  in 1ms max.  
 Remote sense : with +REF and -REF if  $V_{out} + \Delta V$  (cable's drop voltage)  
 $\leq V_{s+} + 5\%$ .  
 Dielectric strength : Input cables / all secondary cables + ground :3750Vrms  
 Input cables / ground:3750Vrms  
 All output cables / ground: 500Vrms  
 Weight : 3.2Kg  
 Isolation resistance Output/ground :  $\geq 100m\Omega$  less than 500VDC  
 Operating temperature : 0 to 55°C  
 Storage temperature : -25°C to +85°C  
 Cooling : Natural convection; Respect installation plans to allow  
 ventilation from bottom to top

### Protections :

1) Primary : Lag fuse to be provided by user  
 - 115V : 1.6AT  
 - 230V : 0.8AT  
 - 400V : 0.5AT

### 2) Secondary:

Against Overload & Short circuits, by square output current  
 limitations for 2 sec minimum, followed by a shutdown of the  
 main or disconnection of the load

Internal fuse before voltage regulation for the secondary  
 winding of the transformer in case of regulator faults.

Against Overvoltages

### Options

- \_ Protection against overvoltages with thyristor circuit (code +P)
- \_ Monitoring circuit of two fixed level at +/-5% of  $V_{out\ nominal}$ , Dry contact instead of +Réf and -Réf terminals
- \_ DIN rail mount with CNOMO plates (code +PL euro)

## MODELS

Models	$V_{out\ nominal}$	$I_{out\ nominal}$
BE 1205-230	12V	5A
BE 2425-230	24V	2.5A
BE 2425-400	24V	2.5A
BE 2822-230	28V	2.2A
BE 2822-400	28V	2.2A
BE 4813-230	48V	1.3A
BE 4813-400	48V	1.3A

The 230 suffix at the end of the reference indicates Two Input Voltages: 115 Vrms and 230 Vrms  
 The 400 suffix at the end of the reference indicates Two Input Voltages: 230 Vrms and 400 Vrms

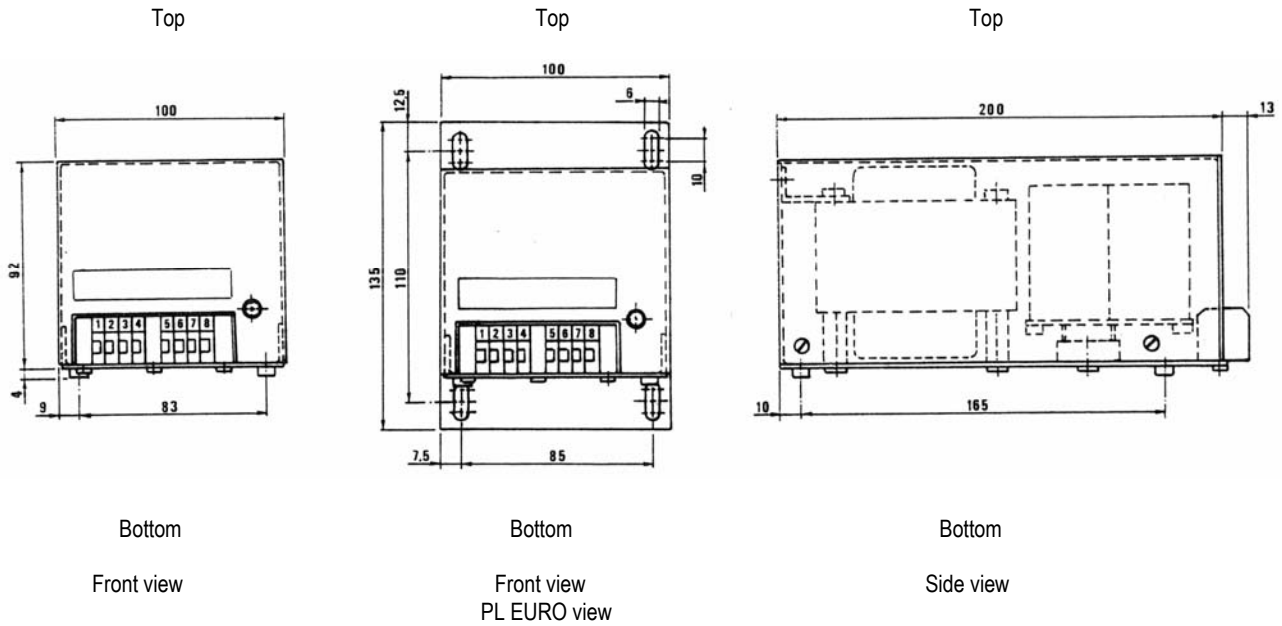
*With a concerning approach of improving our products PRONERGY reserves all the rights to change specifications without prior notice.*

P R O N E R G Y

*L'énergie à votre mesure*

Tel. (+33).01.69.19.43.03– Fax. (+33).01.69.19.43.01  
 5 rue Ampère ,91380 CHILLY MAZARIN, France  
[www.pronergy.com](http://www.pronergy.com) [contact@pronergy.com](mailto:contact@pronergy.com)

## Outline Dimensions mm



Fixing: with 4 screw  $\varnothing$  of 6 mm max.

Weight: 3.2 kg approximately

## Connections

### Screw Terminal

Input 115 / 230 Vrms

	1	2	3	4		5	6	7	8	
	$\perp$	0V	115V	230V		- ref	-Vout	+Vout	+ ref	

Input 230 / 400 Vrms

	1	2	3	4		5	6	7	8	
	$\perp$	0V	230V	400V		- ref	-Vout	+Vout	+ ref	

*With a concerning approach of improving our products PRONERGY reserves all the rights to change specifications without prior notice.*

P R O N E R G Y

*L'énergie à votre mesure*

Tel. (+33).01.69.19.43.03– Fax. (+33).01.69.19.43.01  
5 rue Ampère, 91380 CHILLY MAZARIN, France  
[www.pronergy.com](http://www.pronergy.com) [contact@pronergy.com](mailto:contact@pronergy.com)